

**DS 220**

Grid 2,20  
Spring travel 6,00 mm

Technical Data

Minimum grid distance:	2,20 mm
Maximum spring travel:	6,00 mm
Recommended lifting height:	80%
Spring force at 4/5 spring travel:	1,5 N
E-value (collar height) defines the installation height	7,5 mm
Rated current:	3-4 A
Contact resistance:	20 mΩ
Pin housing:	Brass, gold-plated
Barrel:	Brass, gold-plated
Spring:	Steel, gold-plated
Piston:	Steel, rhodium-plated

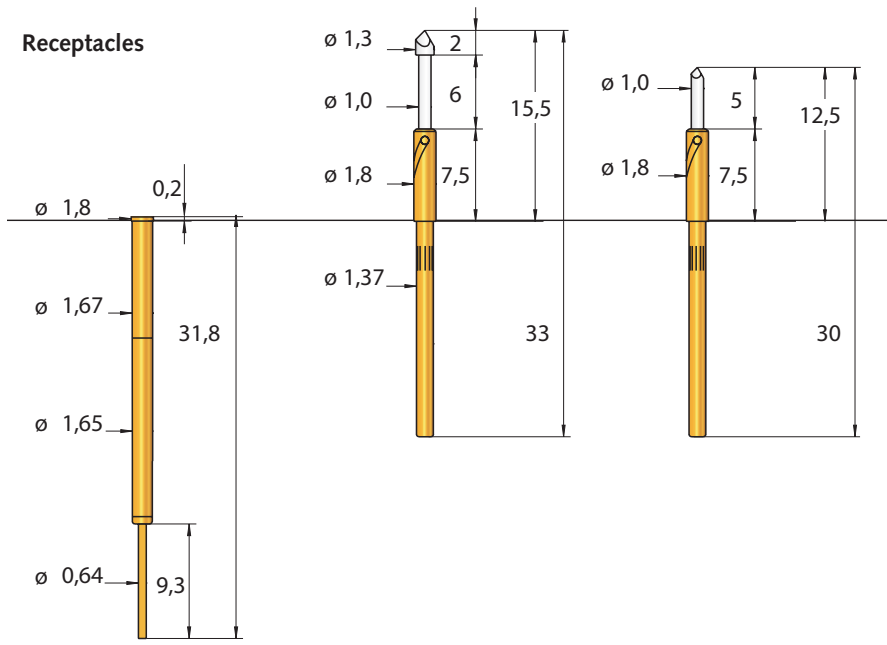



Figure	Type	∅(mm)	Electro- plating
	DK	1,00	R
		1,30	R

Alternative Head shapes are available.

Sample Order:

Series	Head Shape	∅ Head	Electroplating	Lifting Height	Spring Pin	Collar Height
FS 254	FL	20	A	50	15	10

